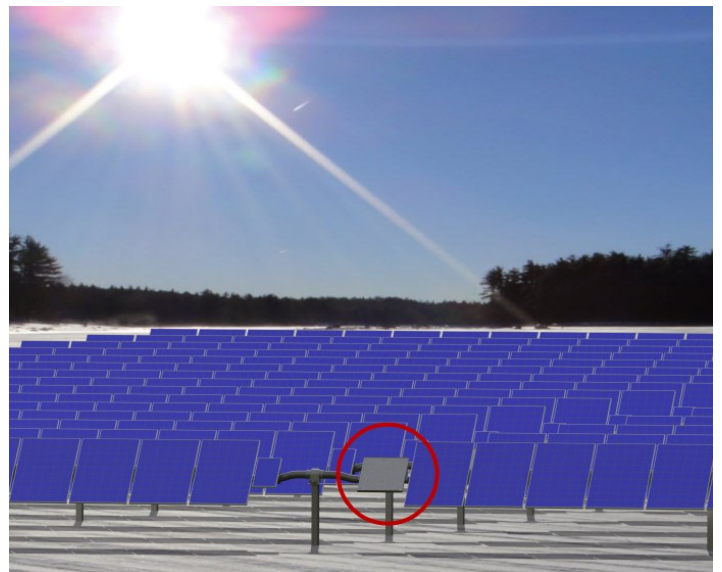
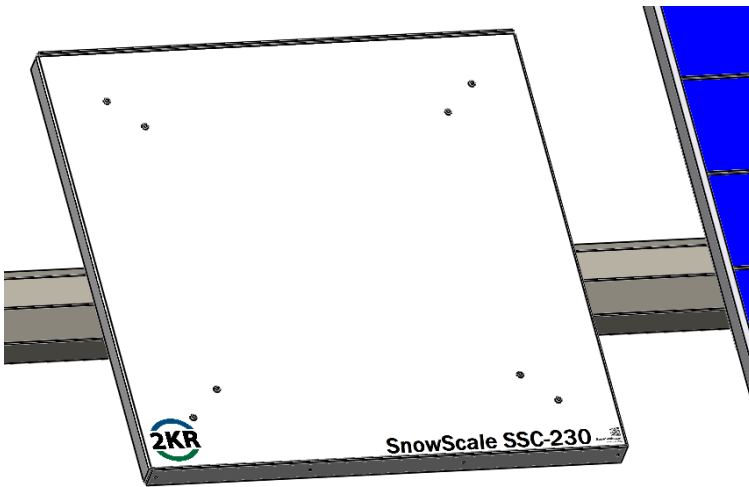




# SnowScale™ SSC230

Patent Pending

2KR Systems



## DESCRIPTION

The SnowScale SSC230 monitors solar array snow load conditions 24/7 when connected to your datalogger. Snow blocks solar energy from reaching PV panels and can create excessive strain on tracking array drive systems. This is especially the case with CG-balanced systems that use low power drive motors.

The SnowScale determines snow loads real-time instructing the system controller when to rotate the array and dump the load. Units are constructed using aircraft grade aluminum and stainless fasteners. The SSC230 all metal enclosure construction creates the most rugged and durable SnowScale yet. Mounting hardware is available to connect the device to the array's round or square torque tube in minutes. LCD and keypad supports local control.

## FEATURES

- Easy setup - 1 to 2 people quickly mount the SnowScale to the array's torque tube
- SSC230 is specially sized for hex and round torque tubes and can be readily adapted to most other trackers and fixed racks
- Unit measures 80 lbs/ft<sup>2</sup> (PSF) of snow pressure
- LCD Display and keypad for local control and testing.
- Input: 8-30 VDC (25mA at 12V, average)
- Output: Modbus Serial Data (SDI-12 Optional) indicates: snow pressure, load force, weight plate and air temperatures, and unit pitch / roll angle

## APPLICATIONS

- ◆ Solar Array snow and wind load monitoring
- ◆ Roof load monitoring
- ◆ Load monitoring other structures
- ◆ Perimeter monitoring

**Call or email us to discuss your application and to see how the SnowScale can be used to monitor snow loads on your structures.**

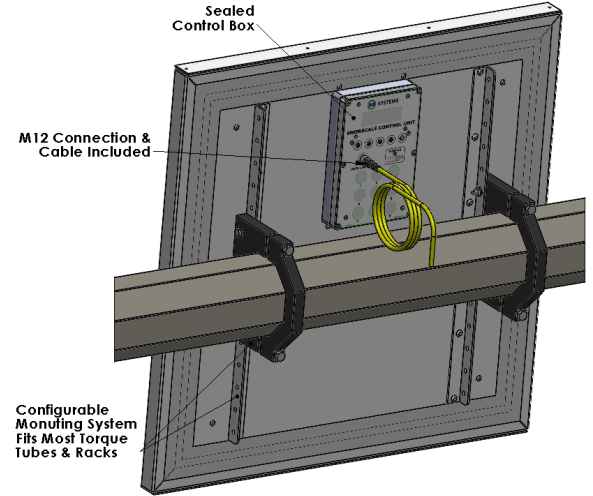
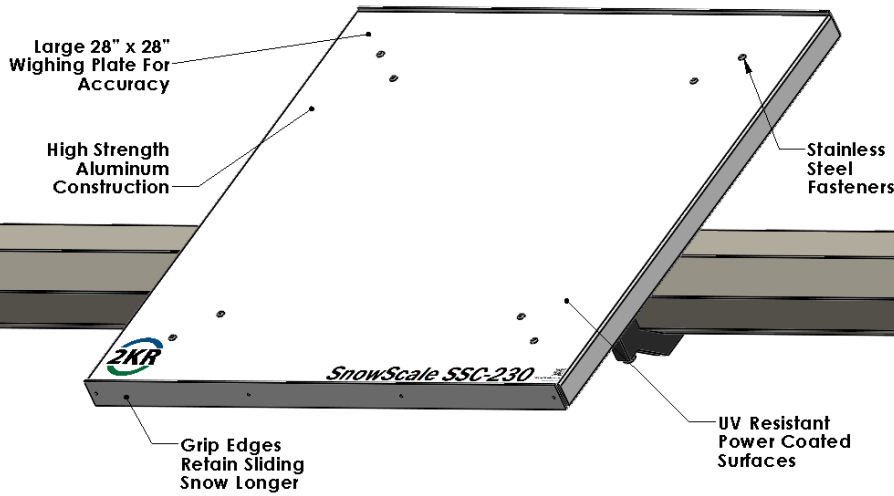
Designed and Made in the USA by 2KR Systems, LLC  
www.2KRsystems.com • info@2KRsystems.com • voice 603-397-3330



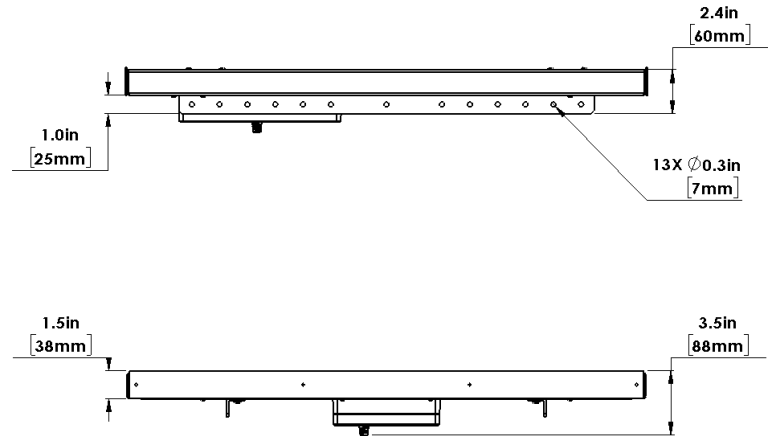
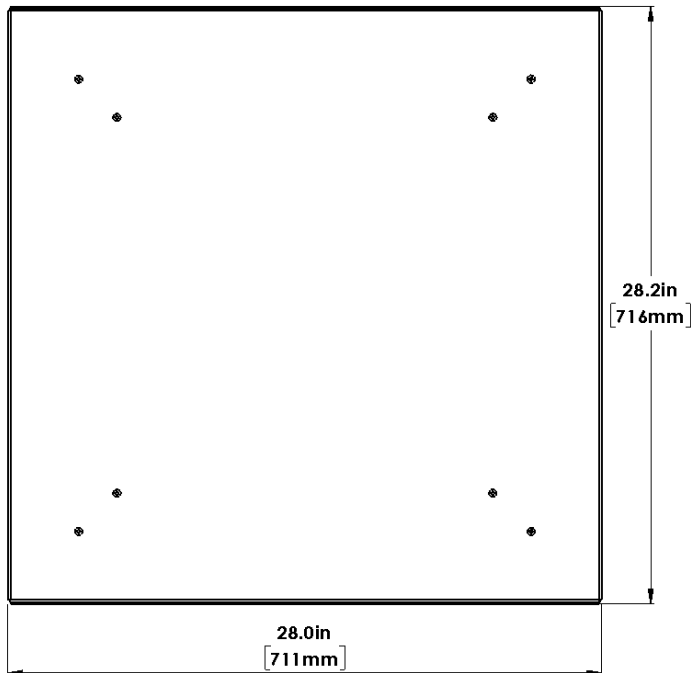
# SnowScale™ SSC230

Patent Pending

2KR Systems



## DIMENSIONS



P/N	Description
110679	Solar SnowScale, SSC-230
110705	Mount Kit, Duratrack HZ, 121.5mm Octagon Tube
110706	Mount Kit, General Purpose, C channel and U-bolt

Call or email us to discuss your application and to see how the SnowScale can be used to monitor snow loads on your structures.

Designed and Made in the USA by 2KR Systems, LLC  
www.2KRsystems.com • info@2KRsystems.com • voice 603-397-3330