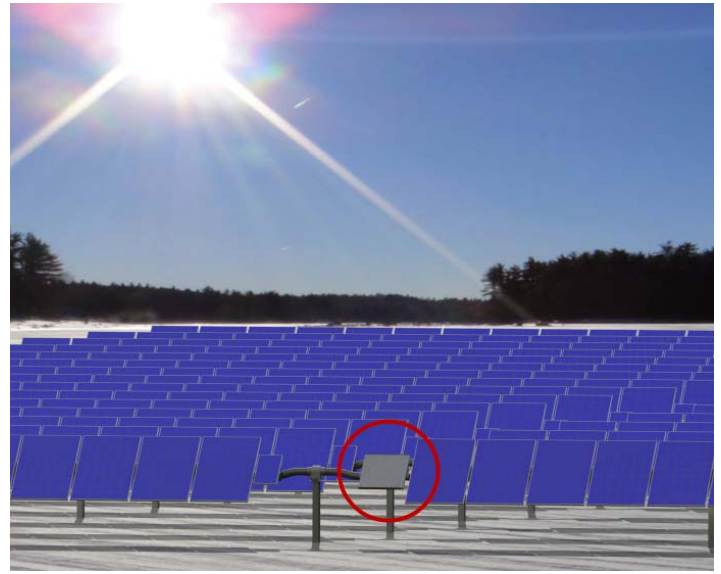
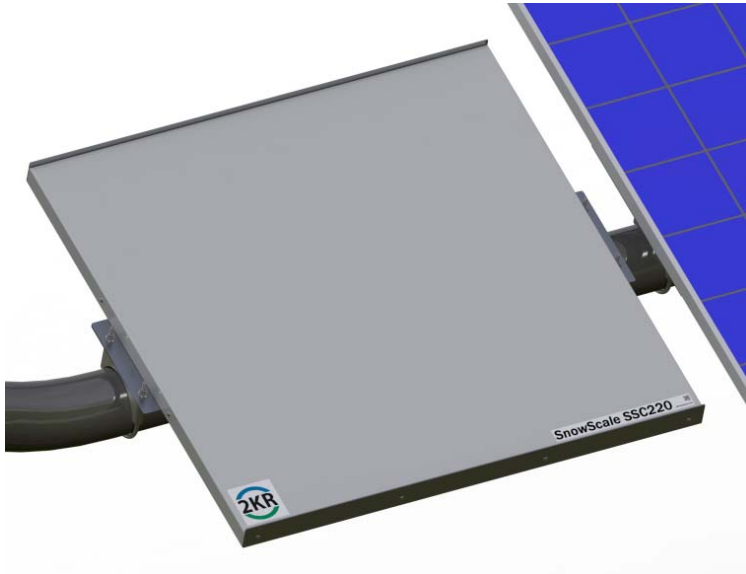




SnowScale™ SSC220

Patent Pending

2KR Systems



DESCRIPTION

The SnowScale SSC220 monitors solar array snow load conditions 24/7 when connected to your datalogger. Snow blocks solar energy from reaching PV panels and can create excessive strain on tracking array drive systems. This is especially the case with CG-balanced systems that use low power drive motors.

The SnowScale determines snow loads real-time instructing the system controller when to rotate the array and dump the load. Units are constructed using aircraft grade aluminum and stainless fasteners. The SSC220 all metal enclosure construction creates the most rugged and durable SnowScale yet. Standard U-bolts connect the device to the array's round or square torque tube in minutes.

FEATURES

- Easy setup - 1 to 2 people quickly mount the SnowScale to the array's torque tube
- SSC220 is specially sized for NEXTrackers round torque tubes and can be readily adapted to most other trackers
- Unit measures 45 lbs/ft² (PSF) of snow load
- Measurements made using precision force sensor technology
- Input: 5 VDC on a single multi-conductor cable
- Output: 0.5 to 4.5V signal indicates load.
- Connector: M12 Phoenix Connector, IP67

APPLICATIONS

- ◆ Solar Array snow and wind load monitoring
- ◆ Roof load monitoring
- ◆ Load monitoring other structures
- ◆ Perimeter monitoring

Call or email us to discuss your application and to see how the SnowScale can be used to monitor snow loads on your structures.

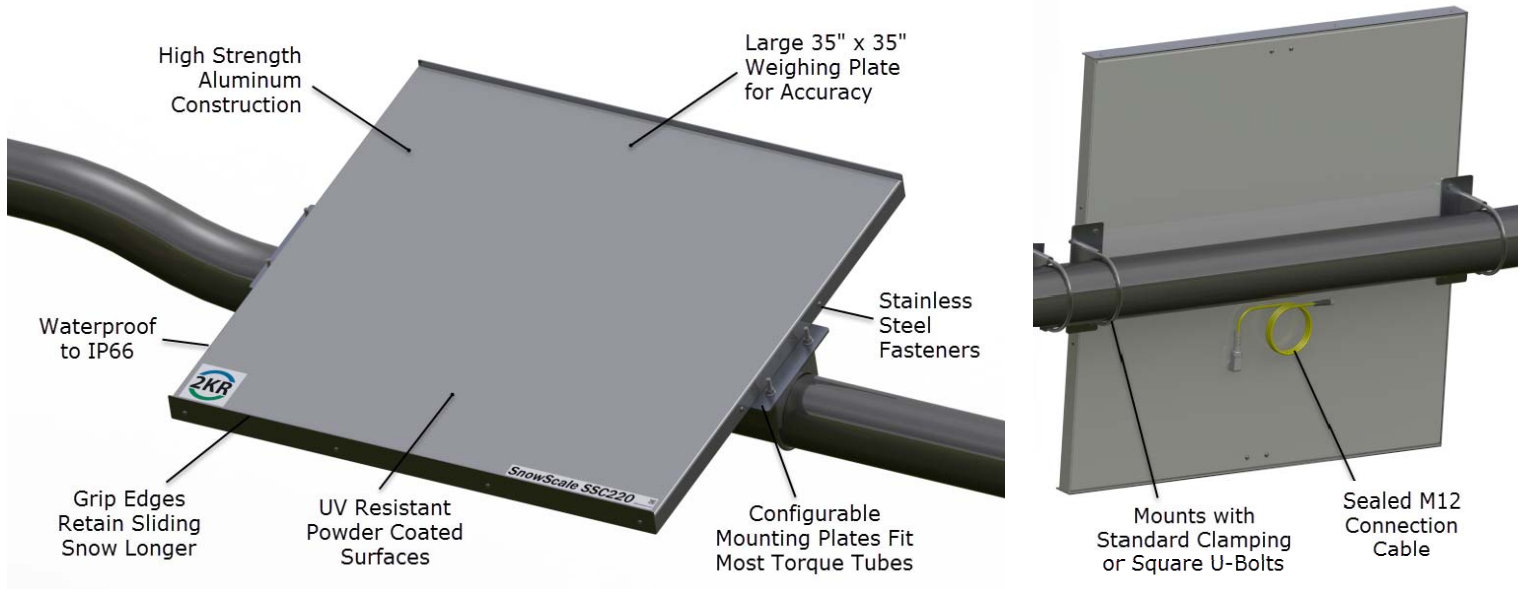
Designed and Made in the USA by 2KR Systems, LLC
www.2KRsystems.com • info@2KRsystems.com • voice 603-397-3330



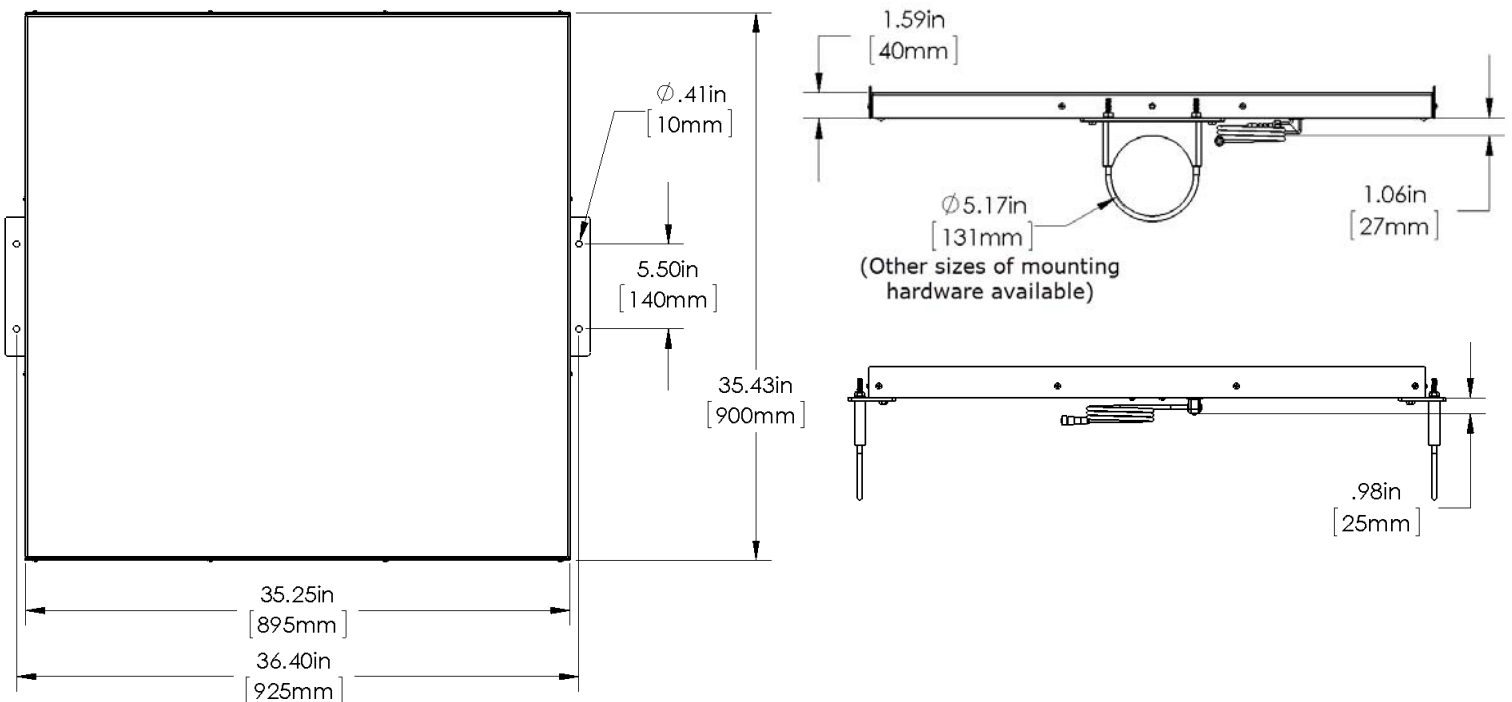
SnowScale™ SSC220

Patent Pending

2KR Systems



DIMENSIONS



Call or email us to discuss your application and to see how the SnowScale can be used to monitor snow loads on your structures.

Designed and Made in the USA by 2KR Systems, LLC

www.2KRsystems.com • info@2KRsystems.com • voice 603-397-3330